

TECHNICAL DATA

Weight: 703 kg
 Grill rack dimensions: 2 x 750 x 735 mm
 Resting rack dimensions: 2 x 785 x 305 mm
 Grill rack hub: 338 mm (Grill rack at 25°)
 390 mm (Grill rack at 0°)
 Grill rack inclinations: 0°; 6,25°; 12,5°; 18,75°; 25°
 Fire pit material: Refractory bricks, 50mm
 Exhaust rate: 5.100 m³/h
 Average charcoal consumption: 36-40 kg/day

STANDARD EQUIPMENT

V-groove Rack insert - 4x
 Resting rack - 2x
 Kopa poker
 Kopa ash shovel
 Kopa Tongs

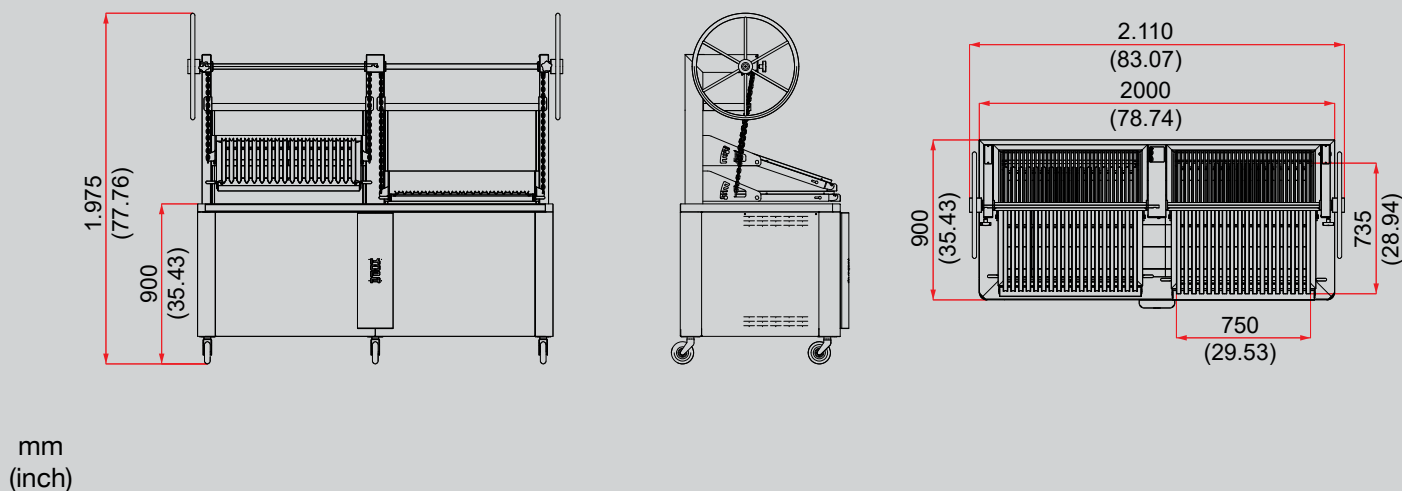
OPTIONAL EQUIPMENT

V-Groove insert: 375 x 735 mm
 Round bar insert: 375 x 735 mm
 Plancha insert: 375 x 735 mm
 Perforated plancha insert: 375 x 735 mm



Picture is indicative

TECHNICAL DRAWINGS



Available in these colors:



Red



Black



Brown



Shiny Metal and Gold - Surcharge

Specification and design are subject to change without notice