

TECHNICAL DATA

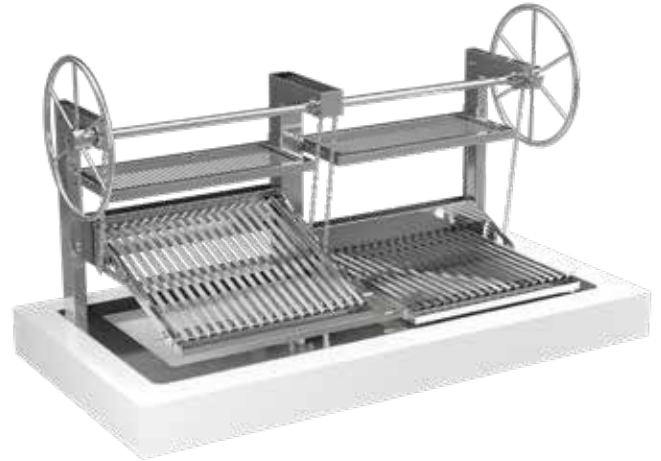
Weight:	601 kg
Grill rack dimensions:	2 x 750 x 735 mm
Resting rack dimensions:	2 x 785 x 305 mm
Grill rack hub:	338 mm (Grill rack at 25°) 390 mm (Grill rack at 0°)
Grill rack inclinations:	0°; 6,25°; 12,5°; 18,75°; 25°
Fire pit material:	Refractory bricks, 50mm
Exhaust rate:	5.100 m ³ /h
Average charcoal consumption:	36-40 kg/day

STANDARD EQUIPMENT

V-groove Rack insert - 4x
Resting rack - 2x
Kopa poker
Kopa ash shovel
Kopa Tongs

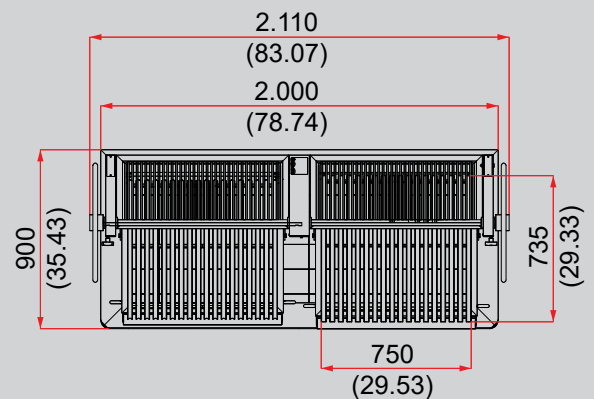
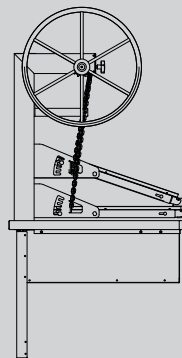
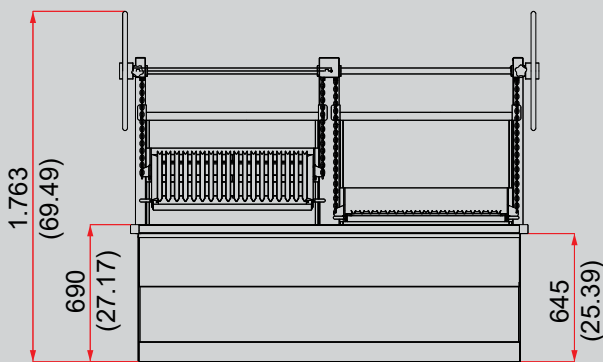
OPTIONAL EQUIPMENT

V-Groove insert: 375 x 735 mm
Round bar insert: 375 x 735 mm
Plancha insert: 375 x 735 mm
Perforated plancha insert: 375 x 735 mm



Picture is indicative

TECHNICAL DRAWINGS



mm
(inch)

Available in these colors:



Stainless Steel

Specification and design are subject to change without notice