

TECHNICAL DATA

Weight:	587 kg
Grill rack dimensions:	2 x 549 x 735 mm
Resting rack dimensions:	2 x 585 x 305 mm
Grill rack hub:	338 mm (Grill rack at 25°) 390 mm (Grill rack at 0°)
Grill rack inclinations:	0°; 6,25°; 12,5°; 18,75°; 25°
Fire pit material:	Refractory bricks, 50mm
Exhaust rate:	4.500 m3/h
Average charcoal consuption:	28-32 kg/day

STANDARD EQUIPMENT

V-groove Rack insert - 2x
 Resting rack - 1x
 Kopa poker
 Kopa ash shovel
 Kopa Tongs

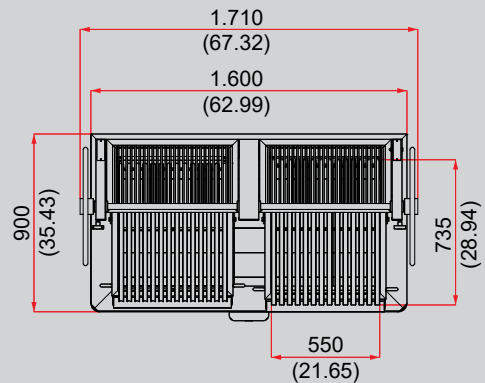
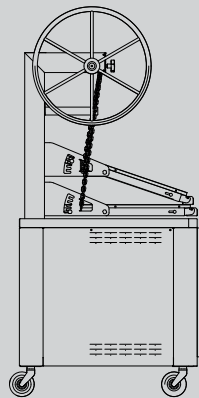
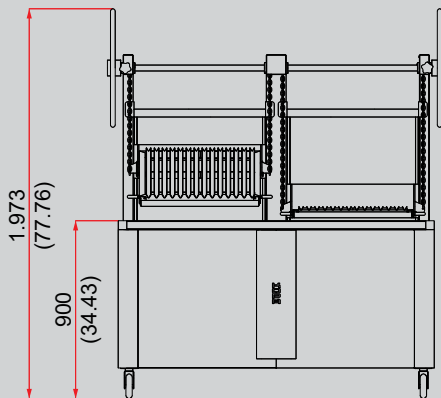
OPTIONAL EQUIPMENT

V-Groove insert: 275 x 735 mm
 Round bar insert: 275 x 735 mm
 Plancha insert: 275 x 735 mm
 Perforated plancha insert: 275 x 735 mm



Picture is indicative

TECHNICAL DRAWINGS



mm
(inch)

Available in these colors:



Red



Black



Brown



Shiny Metal and Gold - Surcharge

Specification and design are subject to change without notice