

## TECHNICAL DATA

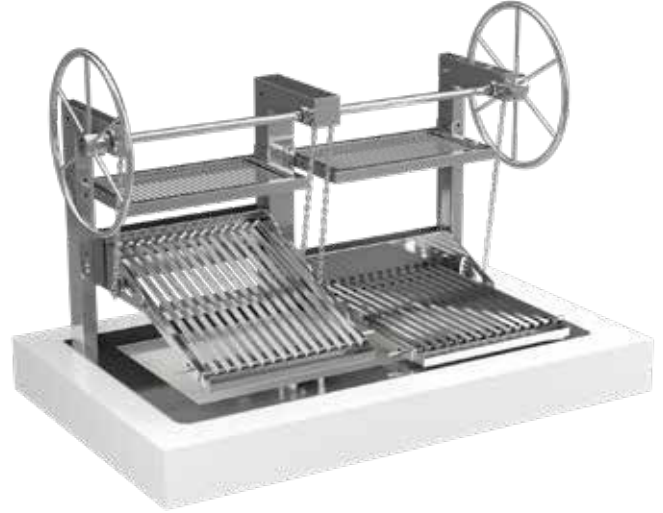
Weight:	500 kg
Grill rack dimensions:	2 x 550 x 735 mm
Resting rack dimensions:	2 x 585 x 305 mm
Grill rack hub:	338 mm (Grill rack at 25°) 390 mm (Grill rack at 0°)
Grill rack inclinations:	0°; 6,25°; 12,5°; 18,75°; 25°
Fire pit material:	Refractory bricks, 50mm
Exhaust rate:	4.500 m <sup>3</sup> /h
Average charcoal consumption:	28-32 kg/day

## STANDARD EQUIPMENT

V-groove Rack insert - 4x  
Resting rack - 2x  
Kopa poker  
Kopa ash shovel  
Kopa Tongs

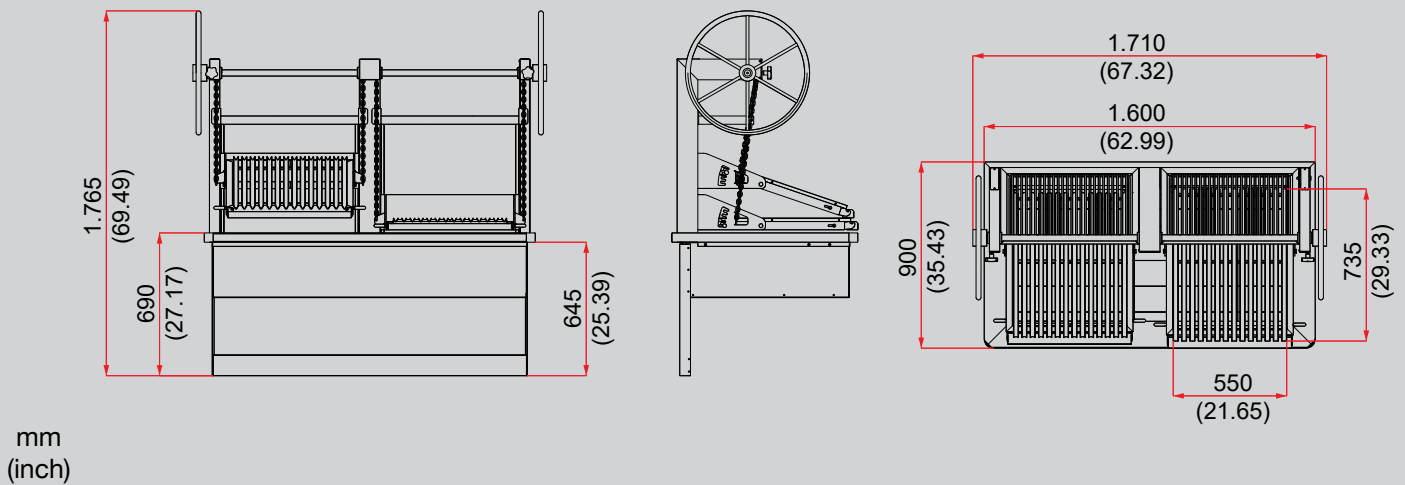
## OPTIONAL EQUIPMENT

V-Groove insert: 275 x 735 mm  
Round bar insert: 275 x 735 mm  
Plancha insert: 275 x 735 mm  
Perforated plancha insert: 275 x 735 mm



Picture is indicative

## TECHNICAL DRAWINGS



Available in these colors:



Stainless Steel

Specification and design are subject to change without notice