

## TECHNICAL DATA

Weight:	529 kg
Grill rack dimensions:	2 x 445 x 735 mm
Resting rack dimensions:	2 x 485 x 305 mm
Grill rack hub:	338 mm (Grill rack at 25°) 390 mm (Grill rack at 0°)
Grill rack inclinations:	0°; 6,25°; 12,5°; 18,75°; 25°
Fire pit material:	Refractory bricks, 50mm
Exhaust rate:	4.300 m <sup>3</sup> /h
Average charcoal consumption:	25-28 kg/day

## STANDARD EQUIPMENT

V-groove Rack insert - 2x  
Resting rack - 1x  
Kopa poker  
Kopa ash shovel  
Kopa Tongs

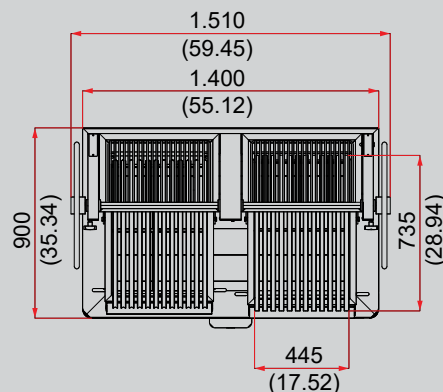
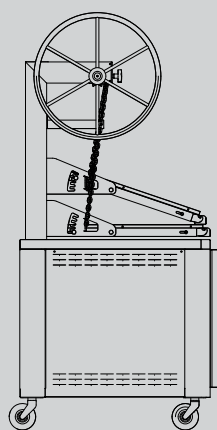
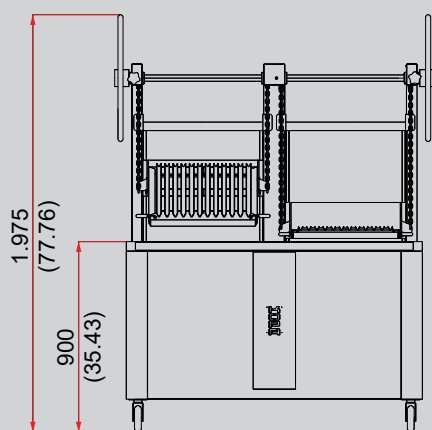
## OPTIONAL EQUIPMENT

V-Groove insert: 445 x 735 mm  
Round bar insert: 445 x 735 mm  
Plancha insert: 445 x 735 mm  
Perforated plancha insert: 445 x 735 mm



Picture is indicative

## TECHNICAL DRAWINGS



mm  
(inch)

Available in these colors:



Red



Black



Brown



Shiny Metal and Gold - Surcharge

Specification and design are subject to change without notice