

TECHNICAL DATA

Weight:	252 kg
Base grill area:	1.130 x 350 mm
Upper grill area per level using original upper grill:	1.240 x 240 mm
Number of levels:	1 + 4
Exhaust rate:	2.500 m ³ /h
Average charcoal consumption:	14-18 kg

STANDARD EQUIPMENT

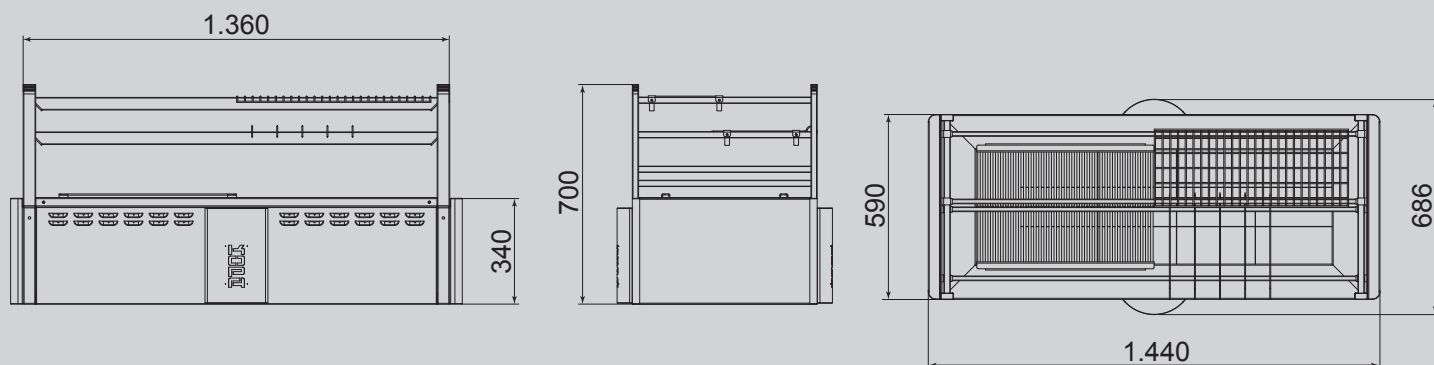
Lower Grill - 1x
 Upper Grill - 1x
 Horizontal support bars - 2 pairs
 Stainless steel skewers - 5x

OPTIONAL EQUIPMENT

Lower Grill 565 x 350 mm
 Flat Grill 280 x 350 mm
 Upper Grill 620 x 250 mm
 Grill Mesh 345 x 275 mm
 Stainless steel skewers
 Side Tables



TECHNICAL DRAWINGS



Available in these colors:



Red



Black



Brown