

TECHNICAL DATA

Weight:	385 kg
Grill rack size:	530 x 481 mm (GN1/1 compatible)
Max number of racks:	10
Temperature range:	80°C - 190°C
Nominal electrical power:	3,0 kW

STANDARD EQUIPMENT

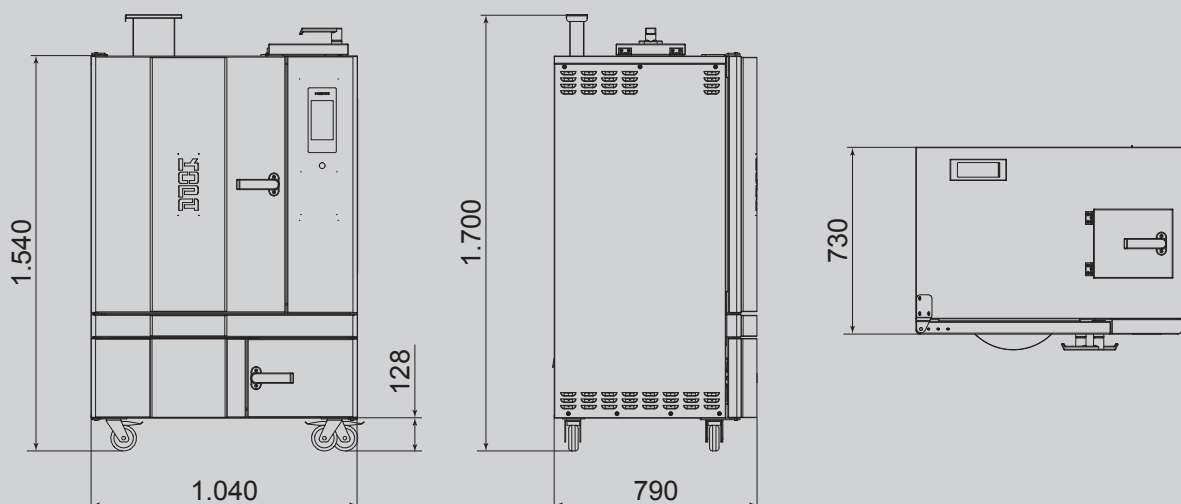
Grill racks - 5x
 Temperature probe - 1x
 Charcoal funnel
 Cherry wood smoking blocks pack - 1x

OPTIONAL EQUIPMENT

Grill rack
 Rib rack
 Fish Hook
 Meat temperature probe
 Set of Wheels
 Wood for smoking



TECHNICAL DRAWINGS



Available in these colors:



Red



Black



Brown