

TECHNICAL DATA S300

Weight: 46 kg
 Shelf size: 620 x 415 mm
 Capacity: 252 lit
 Wheel diameter*: 150 mm

TECHNICAL DATA S400

Weight: 58 kg
 Shelf size: 620 x 570 mm
 Capacity: 260 lit
 Wheel diameter*: 150 mm

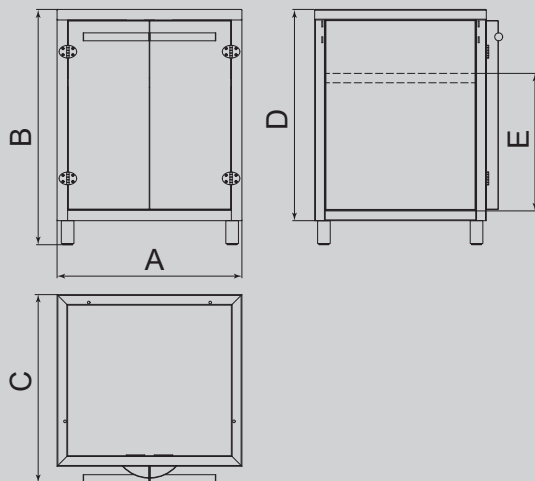
TECHNICAL DATA S500

Weight: 65 kg
 Shelf size: 820 x 570 mm
 Capacity: 334 lit
 Wheel diameter*: 180 mm



*Wheels optional

TECHNICAL DRAWINGS



S300

A = 700 mm
 B = 975 mm
 C = 562 mm
 D = 800 mm
 E = 390 mm

S400

A = 700 mm
 B = 825 mm
 C = 712 mm
 D = 650 mm
 E = 500 mm

S500

A = 900 mm
 B = 825 mm
 C = 712 mm
 D = 650 mm
 E = 500 mm

Available in these colors:



Red



Black



Brown



Shiny metal and gold*
 *surcharge