

TECHNICAL DATA

| | |
|---------------------------|--------------|
| Weight: | 172 kg |
| Grill Rack size: | 380 x 570 mm |
| Capacity: | 40 covers |
| Working temperature: | 250 - 350 °C |
| Av. daily charcoal cons.: | 3 - 6 kg |
| Power: | 3 kW |
| Exhaust rate: | 2.500 m3/h |
| Max. smoke flow: | 4,9 g/s |

STANDARD EQUIPMENT

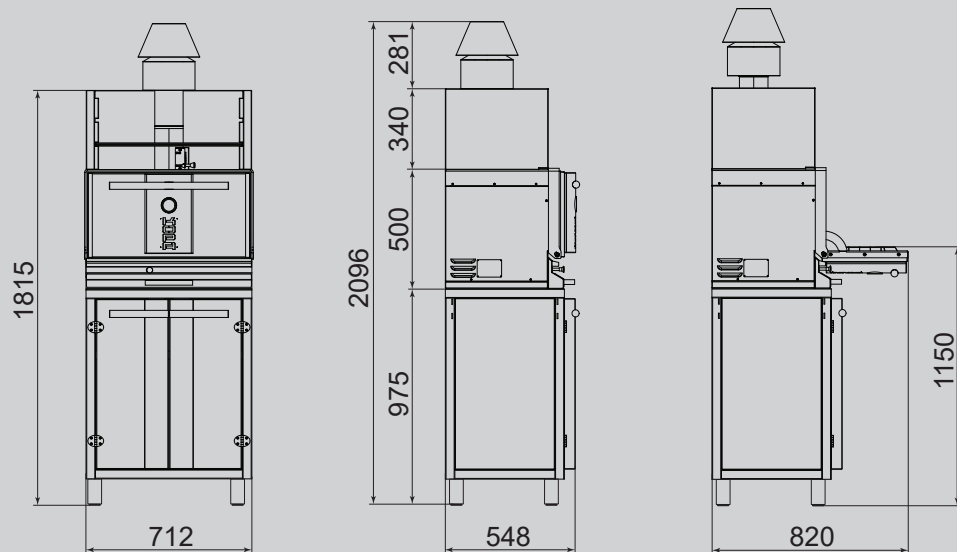
Firebreak
 Firebreak Hood
 Grill Rack
 Kopa Tong
 Ash Drawer
 Closed stand with shelf
 Heating rack

OPTIONAL EQUIPMENT

Additional Grill Rack
 Additional Tong
 Brush
 Side Table - left and right
 Wheels



TECHNICAL DRAWINGS



Available in these colors:



Red



Black



Brown



Shiny metal and gold*
 *surcharge